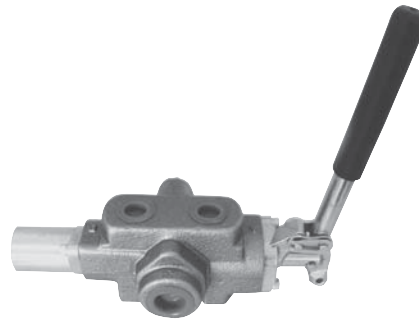


BEIJING HUADE HYDRAULIC INDUSTRIAL GROUP CO.,LTD.	<b>Directional control valve ,Type B-H10</b>			RE 23400/12.2004
	Size10	up to 25MPa	up to 80L/min	

**Features:**

- Direct actuated directional spool valve with hand lever
- With spring return or detent, optional
- Pipe installation

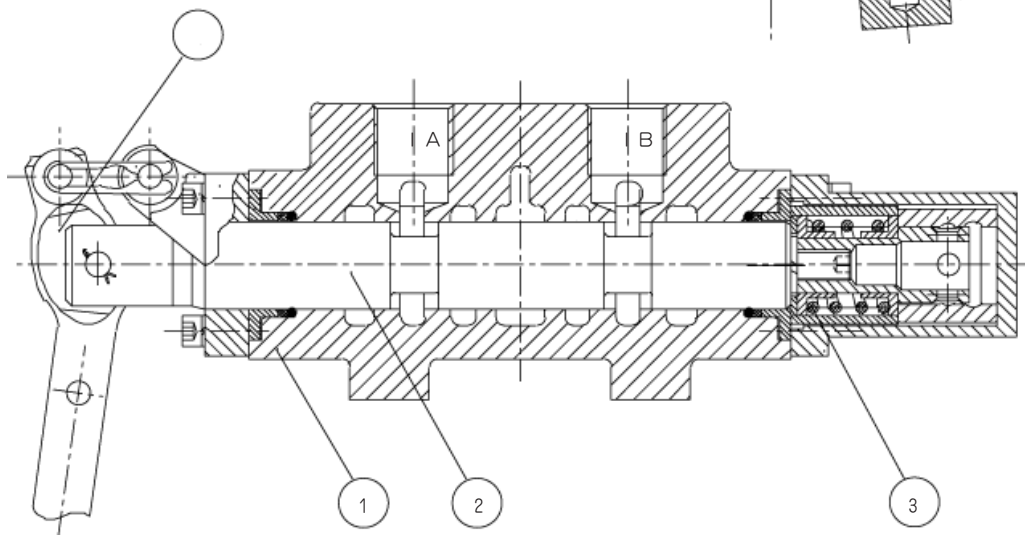
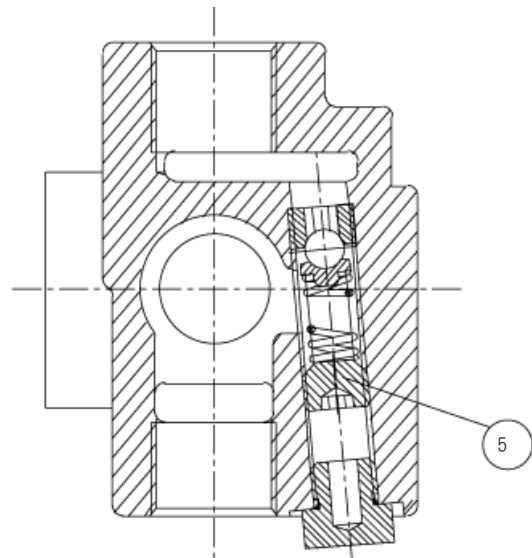


**Function, section**

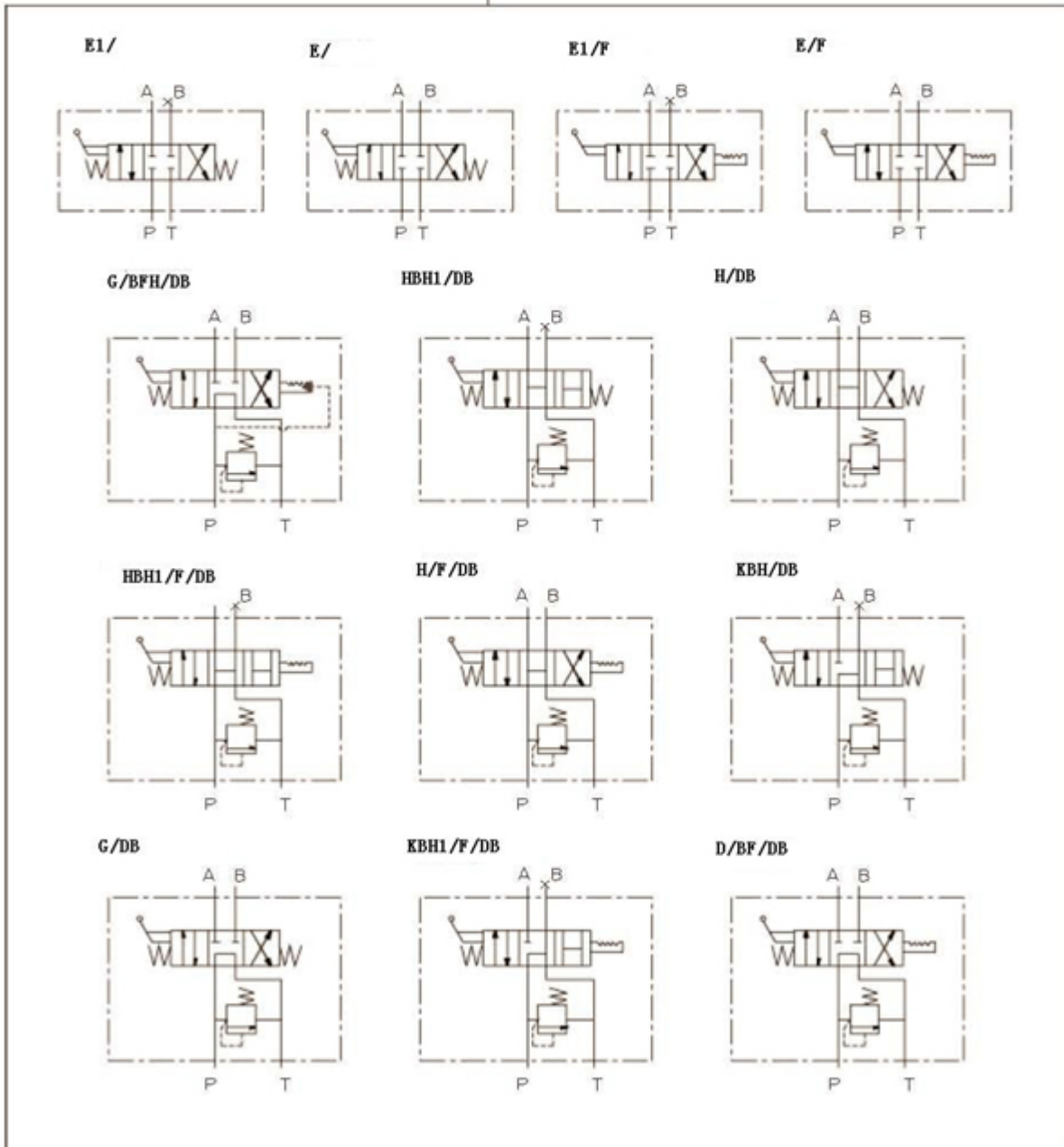
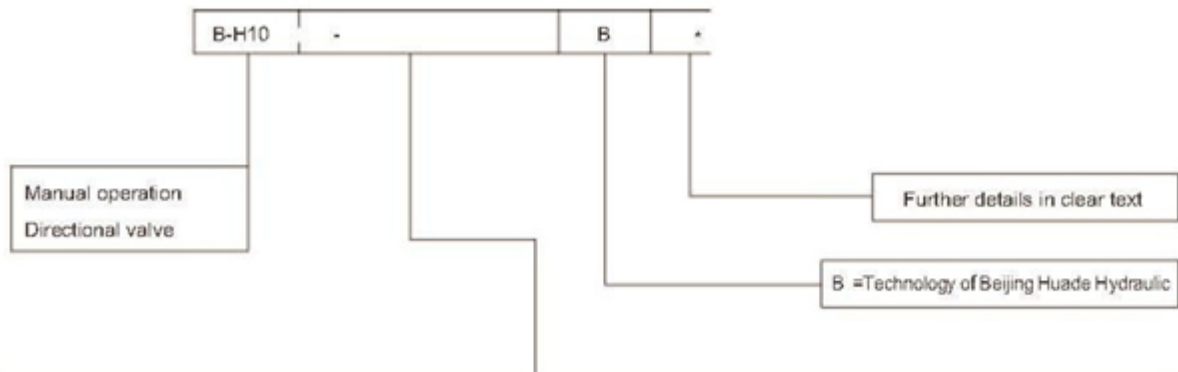
The type B-H10 valves are hand lever actuated directional spool valves.

They control the start, stop and direction of a flow.

The directional valves basically comprise of a housing (1), hand lever(4), control spool (2), as well as one return springs (3). In the unoperated condition the control spool (2) is held in the neutral or its initial position by the return springs (3). The control spool(2) is actuated via the hand lever (4), this acts via a joint and the pin directly onto the control spool (2). The spool is thereby moved out of its rest position into its required switched position. After the hand lever (4) has been returned to the switched position zero, the spool (2) is returned to the neutral position via the return springs (3).

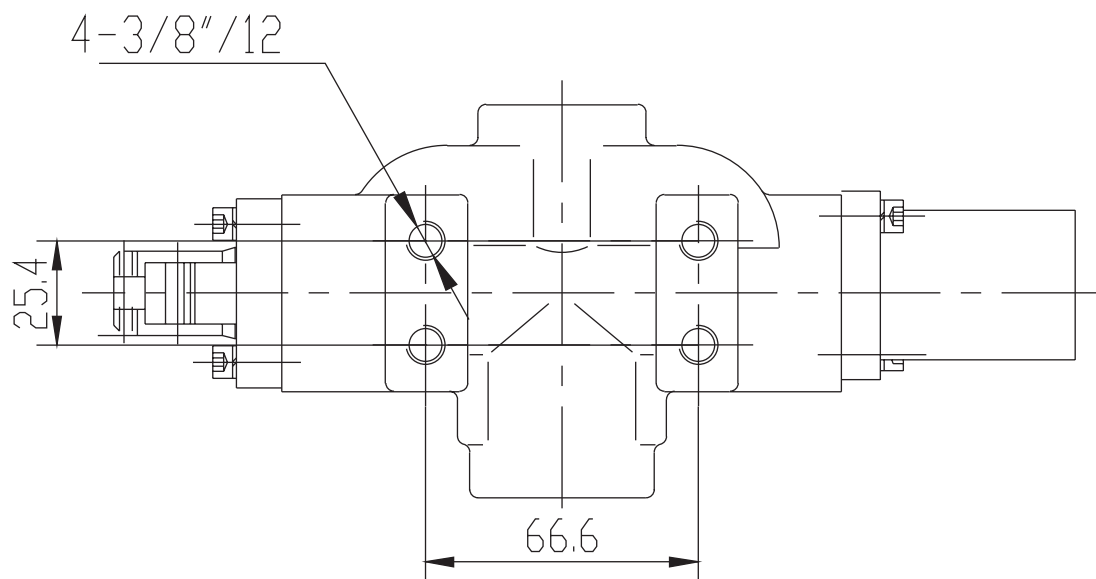
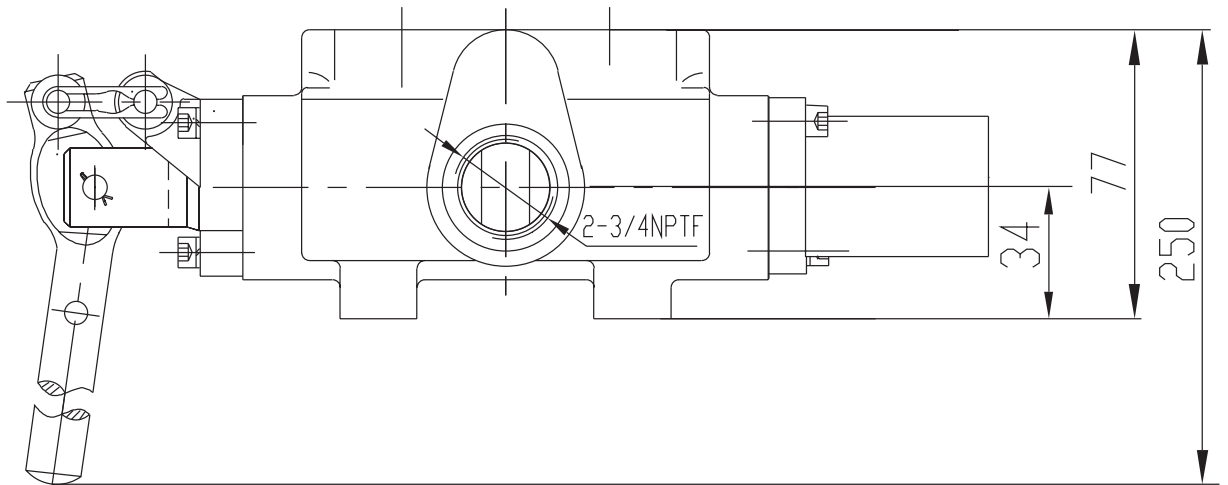
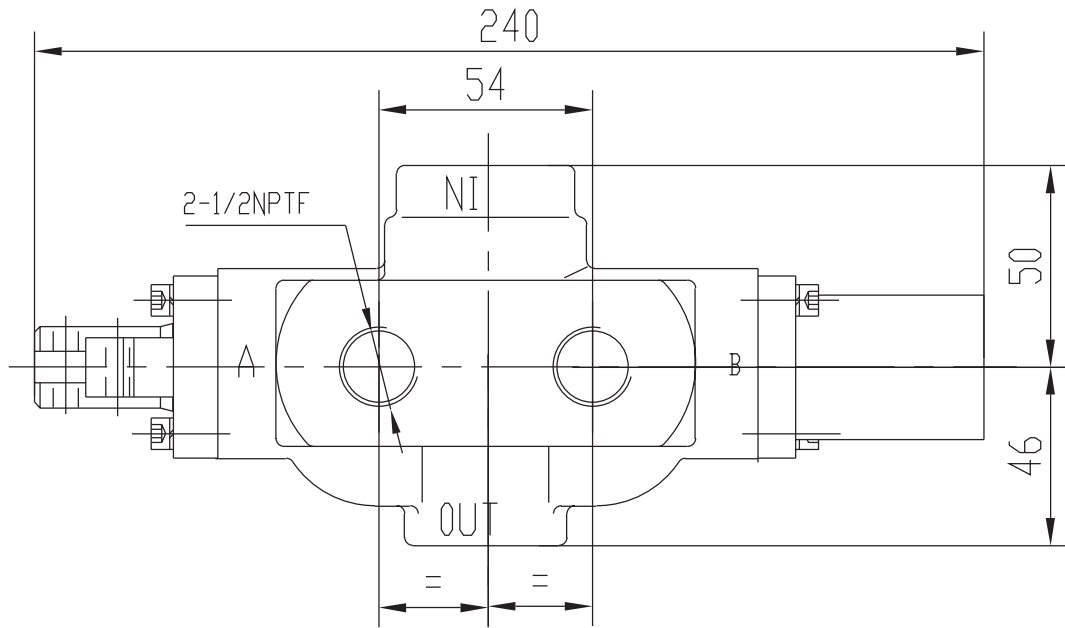


## Ordering details



Unit dimensions

(Dimensions in mm)



## Notice

1. The fluid must be filtered. Minimum filter fineness is 20  $\mu\text{m}$ .
2. The tank must be sealing up and an air filter must be installed on air entrance.
3. Products without subplate when leaving factory, if need them, please ordering specially.
4. Valve fixing screws must be high intensity level (class 10.9). Please select and use them according to the parameter listed in the sample book.
5. Roughness of surface linked with the valve is required to  $\frac{0.8}{\nabla}$ .
6. Surface finish of mating piece is required to 0.01/100mm.